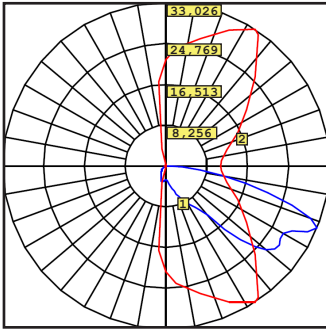


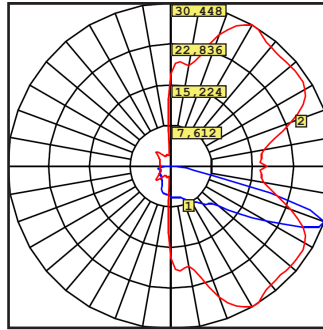
Lumen Output Based on 57000K

System Watts	Dist. Type	Lumens	LPW	B	U	G	Lumens	LPW	B	U	G	Lumens	LPW	B	U	G
150	T3	21,011	140	3	0	3	24,700	165	3	0	3	27,014	180	3	0	3
	T4	22,705	151	3	0	3	24,720	165	3	0	3	27,050	180	3	0	3
	T5	21,212	141	5	0	5	24,720	165	5	0	5	27,000	180	5	0	5
200	T3	30,500	153	4	1	4	32,709	164	4	1	4	36,313	182	4	1	4
	T4	31,000	155	3	0	4	33,028	165	3	0	4	36,520	182	3	0	4
	T5	31,028	155	5	1	1	33,000	165	5	1	1	36,310	183	5	1	1
300	T3	40,266	134	3	1	5	49,252	164	3	1	5	54,223	181	3	1	5
	T4	42,344	141	4	0	5	50,728	169	4	0	5	54,300	181	4	0	5
	T5	43,521	145	5	1	2	50,235	167	5	1	2	53,758	179	5	1	2

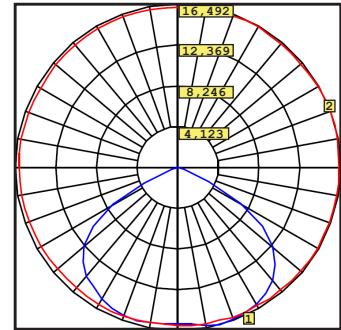
SBAS-300-T3



SBAS-300-T4



SBAS-300-T5



The international color scheme is brown (hot), blue (neutral) and green/yellow (ground) wiring.



Always disconnect power when installing or troubleshooting. Consult a licensed technician.

Phenix External Emergency Inverter (18470X-3)



Multi-Level Motion Sensor



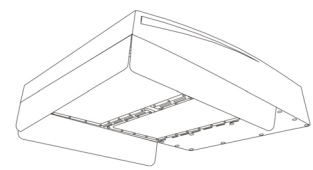
Wall Bracket



With Photocell Receptacle

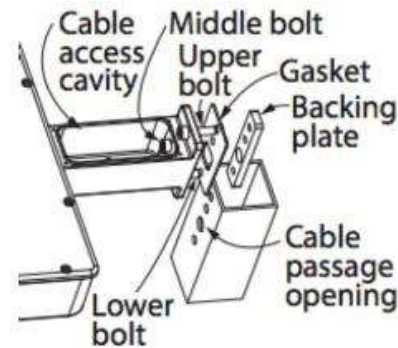
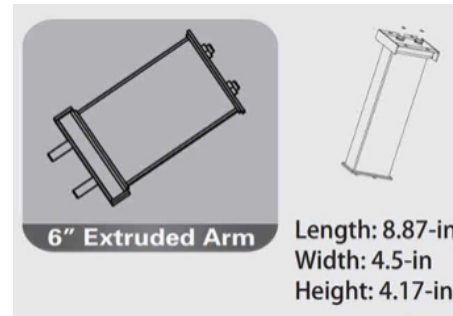


Optional Light Shield



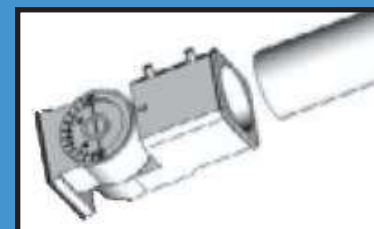
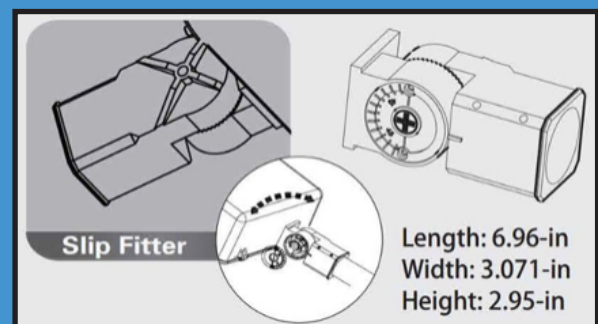
Arm Bracket Installation

1. Remove the cover of the 6" arm bracket.
2. Be certain the support pole has adequate mounting surface and conforms to code.
3. Determine whether to store the wire connections in the cable access cavity or inside the pole.
4. Open cable-access plate and safely store the tiny screws.
5. With the pole and its mounting holes set at a desired height, bring the lamp and bracket arm up to be mounted.
6. Support the backing plate inside the pole, aligned precisely with the mounting holes.
7. Support the luminaire arm near the mounting holes and thread power cable through the largest hole of the sealing gasket, through the pole's largest drilled hole, and through the backing plate's hole.
8. Feed the three Allen 6mm bolts through the backing plate to set their screws hand tight. Then fully tighten the middle bolt, followed by the upper bolt, then the lower bolt.
9. Connect the input and ground wires of the fixture to the power supply.
10. Re-fasten the cover plate.
11. Enclose the open pole top and seal as necessary.



Slip Fitter Bracket Installation

1. Ensure that the light pole or tenon adapter diameter is less than the diameter of the connection tube (2.5")
2. Loosen screws on the connection tube.
3. Adjust the lighting angle as needed, utilizing the slip fitter adjustment.
4. Connect the input and ground wires of the fixture to the power supply.
5. Place the slip fitter over tenon & tighten all screws.
6. The angle of the slip fitter mount can be adjusted from +90° through -90°.
7. Restore Power.



Note: Wider array of adaptors are available upon request

UPDATED: 2/6/2018

Dimensions

