



100W / 150W / 240W UFO with Mean Well driver



60W / 320W UFO with YG driver

Wattage:	100W & 150W	240W & 320W
Height:	6.7in / 170.2 mm	7.5 in / 190.5 mm
Diameter:	13.2 in / 335.28 mm	16.9 in / 429.26 mm
Weight (lb):	11.7 lb / 12.6 lb	19.8 lb / 21.6 lb
Weight (kg):	5.3kg / 5.7kg	8.9 kg / 9.8 kg



## Description

The HBUFO High Bay fixture is the perfect LED to replace all your HID and Fluorescent High Bay lights. With dimming ballast and motion sensor options, you can't go wrong.

## Applications

Warehouse Lighting      Cold Storage      Exhibit Halls  
Shopping Centers      Indoor Arenas      Gymnasiums

## Details

IP Rating	IP67
Material	Die Cast Aluminum
Lens	Tempered Glass / Polycarbonate
L70 Life	100,000 Hours
Warranty	10 Years
CRI	83+
Certification	UL, DLC 4.2, FCC, CE, RoHS
Driver Man.	Mean Well and YG
Chip Man.	Phillips

## Electrical

Power Factor	0.99
Frequency	50/60 Hz
Max THD (%)	15
Operating Temp.	-30° F to 150° F -34° C to 65° C
Dimming	3 in 1 (Resistance, PWM, 1-10V)

HIGH BAY WATERPROOF UFO

ALTECH MODEL #:	AE-L-HBUFO-60*	AE-L-HBUFO-100	AE-L-HBUFO-150	AE-L-HBUFO-240	AE-L-HBUFO-320*
DLC #:	Not Currently DLC	U-UHB-100	U-UHB-150	U-UHB-240	Not Currently DLC
DLC Partner:	Ultron Industries				
Input Wattage:	60W	100W	150W	240W	320W
Equivalent:	250W	400W	1000W	1500W	2000W

\*Not currently DLC

## Ordering Information

Example: AE-L-HBUFO-PC-150-130-50K-1-H-WP(4)-BL

Lens Type	Wtg	Lumen Pckge	Color Temp.	Input Voltage	Mounting	Options	Finish
PC - Polycarbonate	60	130 L/W*	30K - 3000K	1 - 120-277V*	H - Hook**	MS - Motion Sensor	BL - Black*
	100	165 L/W	40K - 4000K	2 - 480V	Y - Yoke***	TL - Twist Lock Cap	BZ - Bronze
(Tempered glass lens is standard. Only specify if polycarbonate.)	150	185 L/W	50K - 5000K*		P - Pendant	EI - Emergency Inverter	W - White
	240		57K - 5700K		(Pendant type must be specified when ordering)	WP(X) - Additional X' Whip (X = specify length; comes standard with 4' whip)	GR - Gray
	320						SP - Other

\*Standard    \*\*Standard on 100W, 150W and 240W    \*\*\*Standard on 60W and 320W

### Standard Color

Black

### Custom Colors

Bronze

White

Silver

Gray

Orange

Brown

Blue

Green

Red



### Notes:

- Only 5000K in BLACK are in stocked locally, check for ETA's
- Warranty reduces to 5 YEARS for 480V models
- Step-down dimming motion sensors are for 120-277V models only
- 60W and 320W are not DLC Listed
- Dimming for the 60W and 320W is 0-10V, PWM and 3-wire Resistance dimming

UPDATED: 2/6/2018

**Lumen Output at 5700K**

System Watts	Lumens	LPW	Lumens	LPW	Lumens	LPW
60	6,800	130	9,900	165	11,100	185
100	13,300	130	16,000	165	18,000	185
150	18,900	130	24,000	165	27,000	185
240	34,230	130	38,400	165	43,200	185
320	41,600	130	51,200	165	57,600	185



Phenix External Emergency Inverter (18470X-3)



Multi-Level Motion Sensor



Bottom View



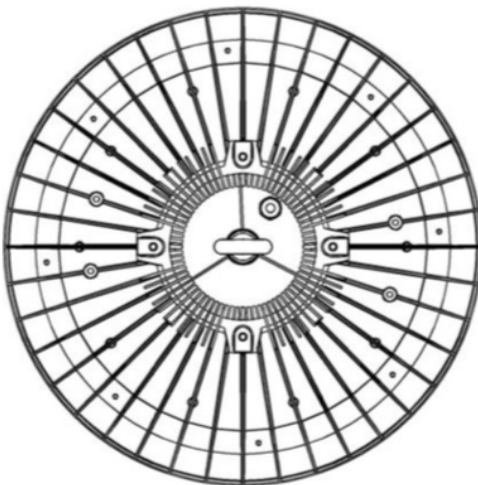
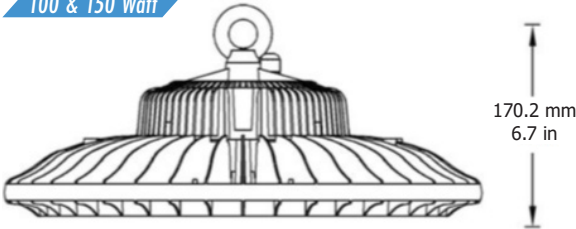
YG Drivers on 60W and 320W UFOs



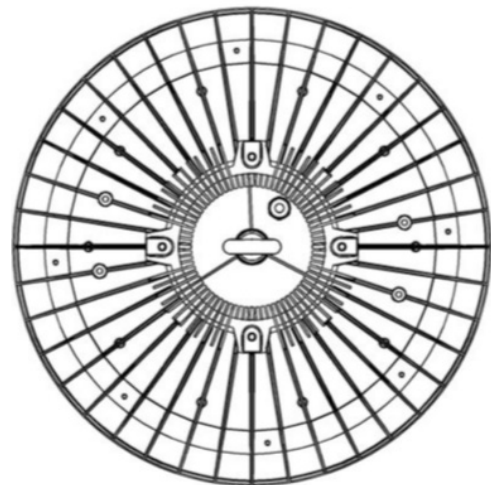
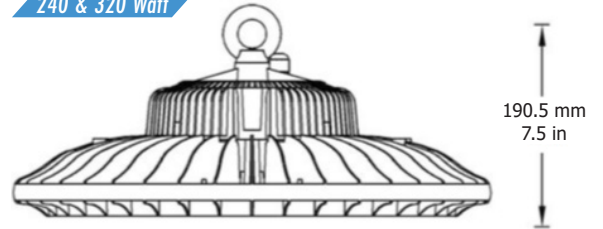
Pendant Adapter (not standard)

**Dimensions**

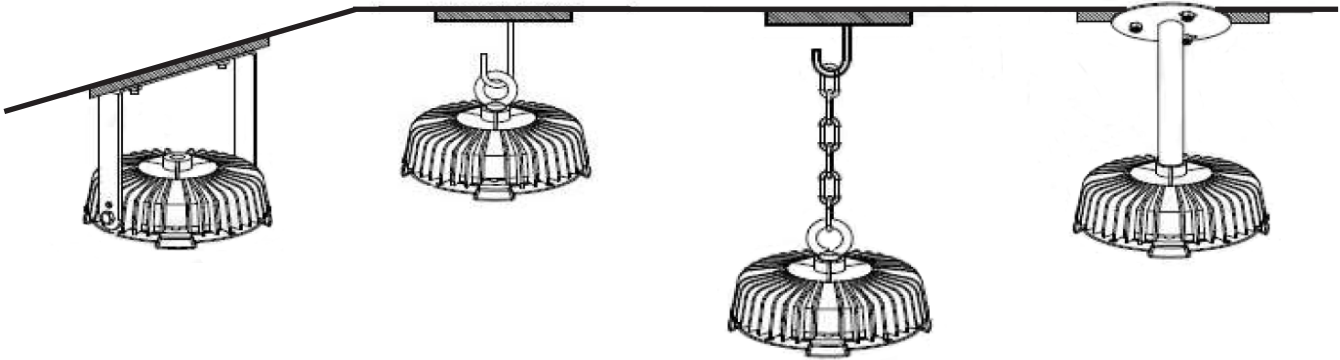
100 & 150 Watt



240 & 320 Watt



### Mounting Options Supported



Bracket Installation

Hook Installation

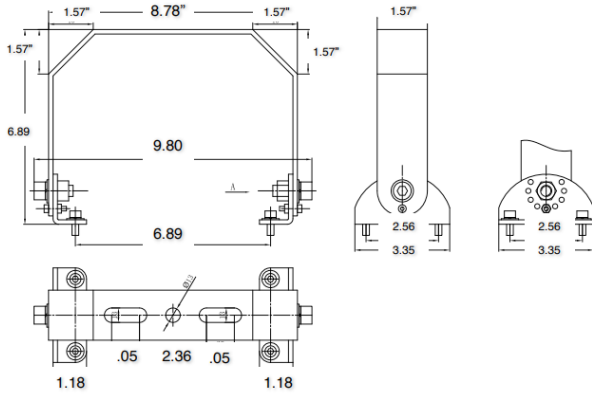
Chain Installation

Pendant Installation

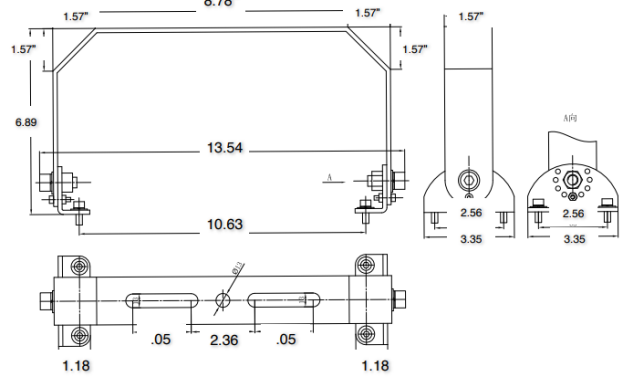
HIGH BAY WATERPROOF UFO

### Bracket Dimensions

#### 100 & 150 Watt U-Bracket

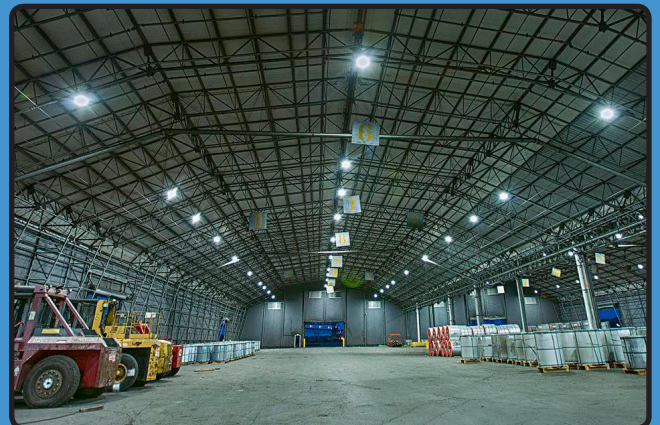
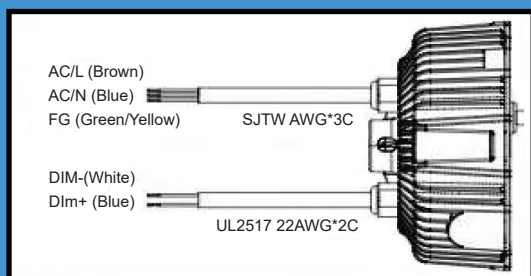


#### 240 Watt U-Bracket

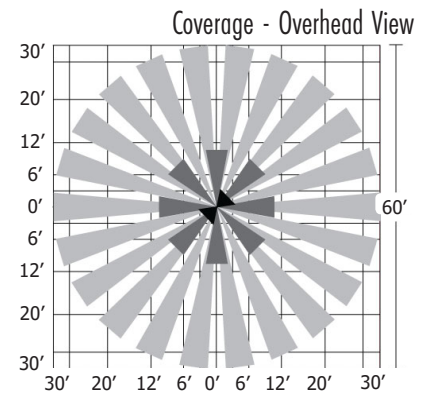
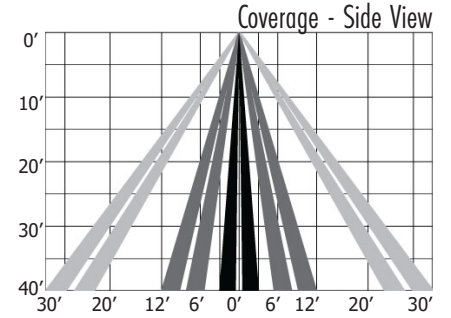
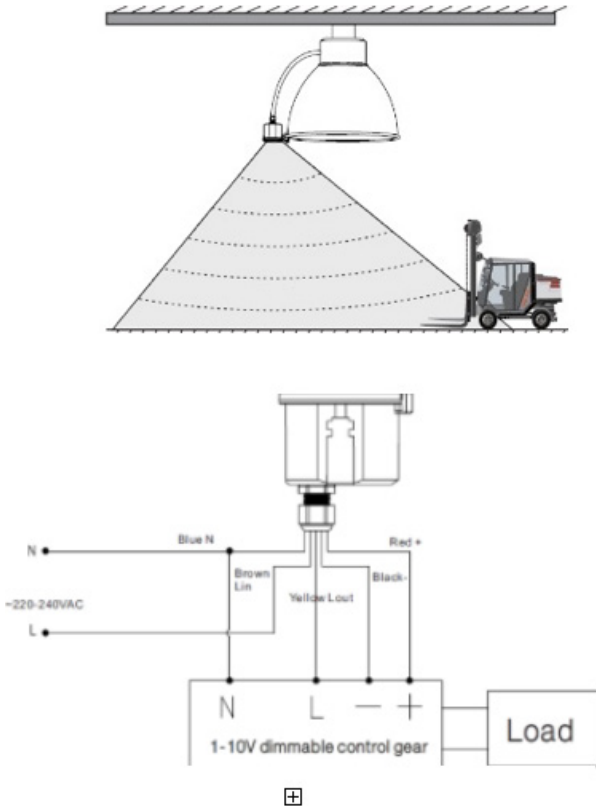


### Installation

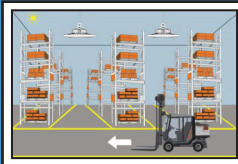
1. Important: Shut the power down.
2. Hang the fixture.
3. Connect the power.



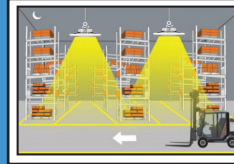
**Motion Sensor**



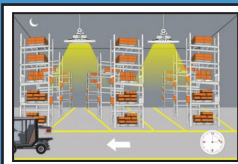
**Motion Detection**



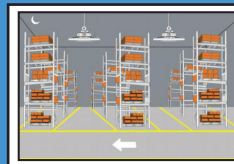
1. With sufficient ambient light, the sensor does not turn the fixture on.



2. With insufficient ambient light, the sensor turns the fixture on when motion is detected.



3. After hold time, the sensor dims the fixture to a low light level if no new motion is detected.



4. After stand-by-period, the sensor turns off the fixture if no motion is detected in its zone.

This 3-Step Dimming/Daylight Sensor, with remote, provides a simple energy-saving solution to use light only when and where you need it. The motion sensor can be mounted at a maximum of 49 feet above the ground and still detect moving objects within as 2,500 square foot area. This sensor also has a daylight sensor for even more added lighting customization and energy savings.