

Lumen Output at 5700K

System Watts	Lumens	LPW	Lumens	LPW
100	12,000	110	13,500	135
150	17,400	110	20,250	135
240	28,320	110	32,400	135

3-Step Microwave Motion Sensor and Photocell Combination

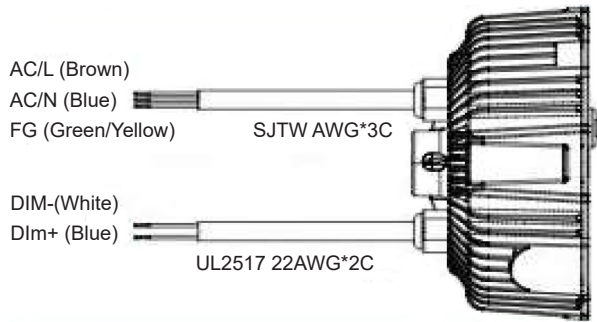


Installation

1. Important: Shut the power down.
2. Hang the fixture.
3. Connect the power.



Phenix External Emergency Inverter (18470X-3)

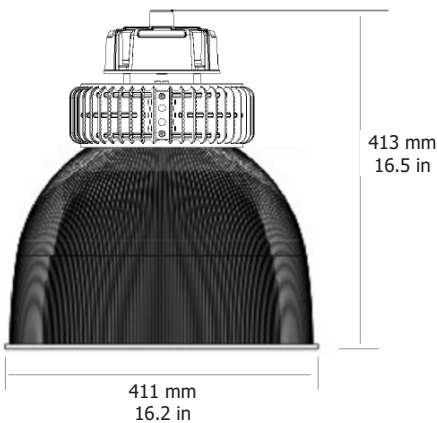


Tool-Free Reflector Installation

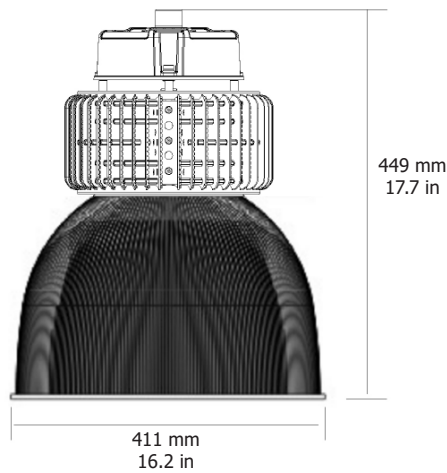


Dimensions

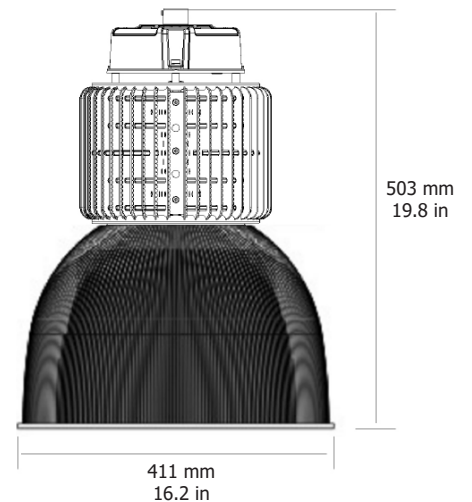
100 Watt



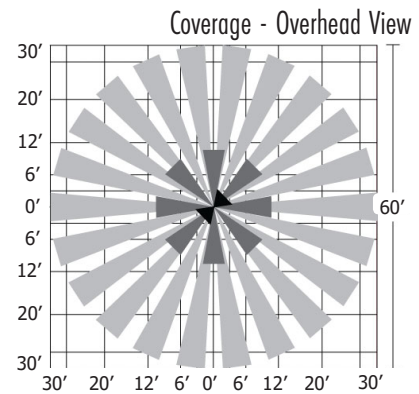
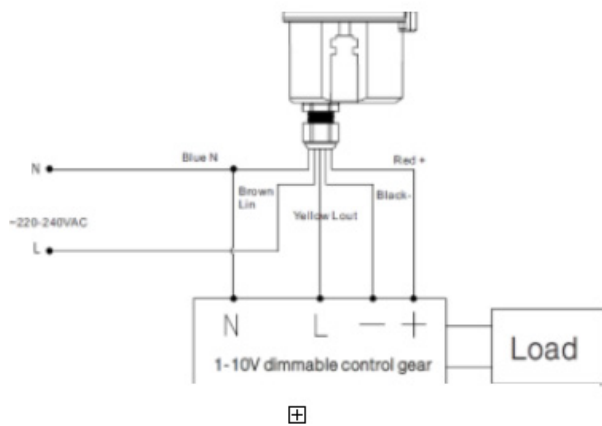
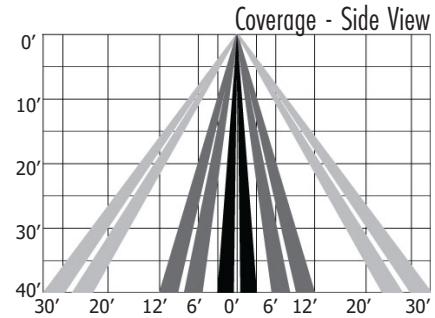
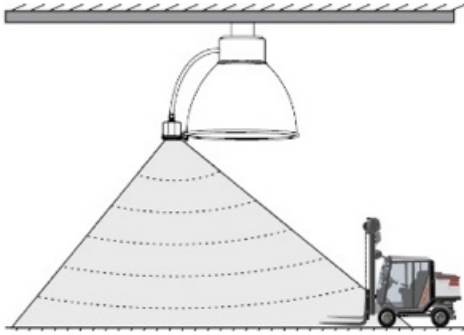
150 Watt



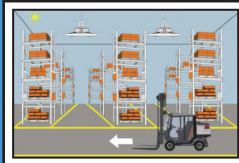
240 Watt



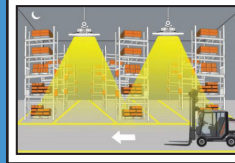
Mounting Options



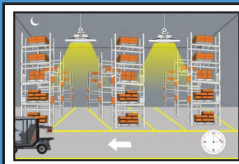
Motion Detection



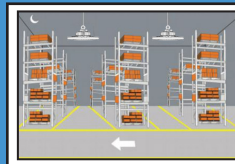
1. With sufficient ambient light, the sensor does not turn the fixture on.



2. With insufficient ambient light, the sensor turns the fixture on when motion is detected.



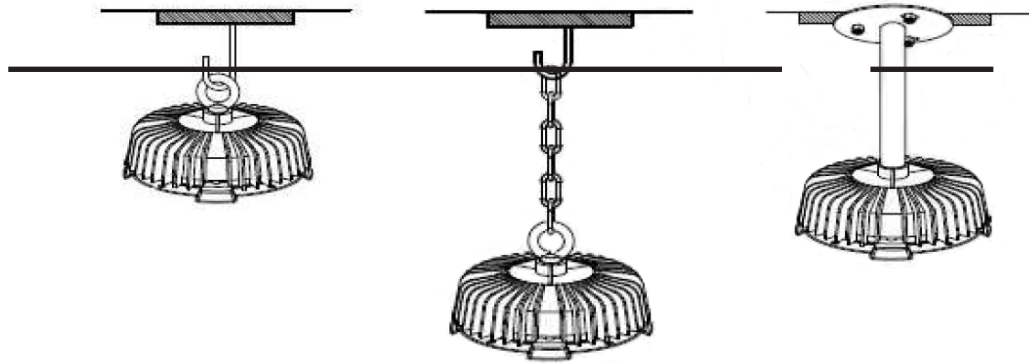
3. After hold time, the sensor dims the fixture to a low light level if no new motion is detected.



4. After stand-by-period, the sensor turns off the fixture if no motion is detected in its zone.

This 3-Step Dimming/Daylight Sensor, with remote, provides a simple energy-saving solution to use light only when and where you need it. The motion sensor can be mounted at a maximum of 49 feet above the ground and still detect moving objects within as 2,500 square foot area. This sensor also has a daylight sensor for even more added lighting customization and energy savings.

Mounting Options Supported



Hook Installation

Chain Installation

Pendant Installation

