

Project: _____
 Cat #: _____
 Note: _____



Description

The LBSS slim form rivals most square canopy fixtures. Surface or pendant mount, it gets the light where you need it.

Applications

| | | |
|--------------------|---------|----------|
| Warehouse Lighting | Ceiling | Interior |
| Parking Garages | Canopy | Exterior |

Details

| | |
|---------------|----------------------------|
| IP Rating | IP67 |
| Materials | Die Cast Aluminum |
| Lens | Polycarbonate |
| LM70 Life | 100,000 Hours |
| Warranty | 7 Years |
| CRI | 70+ |
| Certification | UL, DLC 4.2, FCC, CE, RoHS |
| Driver Man. | YG |
| Chip Man. | Phillips |

Electrical

| | |
|-----------------|-------------------------------------|
| Power Factor | 0.99 |
| Frequency | 50/60 Hz |
| Max THD (%) | 15 |
| Operating Temp. | -30° F to 130° F -34° C to 54° C |
| Dimming | 1-10V |

Height: 3.94 in / 100 mm
 Width: 10.43 in / 256 mm
 Length: 10.43 in / 256 mm
 Weight: 6.0 lb / 2.72 kg



| ALTECH MODEL #: | AE-L-LBSS-28 | AE-L-LBSS-40 | AE-L-LBSS-60 | AE-L-LBSS-90 |
|-----------------|-------------------|--------------|--------------|--------------|
| DLC #: | U-LPCN-28 | U-LPCN-40 | U-LPCN-60 | U-LPCN-90 |
| DLC Partner: | Ultron Industries | | | |
| Input Wattage: | 28W | 40W | 60W | 90W |
| Equivalent: | 100W MH | 175W MH | 200W MH | 250W MH |

Ordering Information

Example: AE-L-LBSS-60-130-50K-1-2-P-WP-BZ

| Wtg | Lumen Pckge | Color Temp. | Distribution | Input Voltage | Mounting | Options | Finish |
|-----|-------------|--------------|--------------|---------------|---------------------|--------------------|--------------|
| 28 | 130 L/W* | 30K - 3000K | 1 - 120°* | 1 - 120-277V* | F - Flush* | WP - 4' Whip | BZ - Bronze* |
| 40 | 145 L/W | 40K - 4000K | | 2 - 480V | P - Pendant Adapter | MS - Motion Sensor | |
| 60 | | 50K - 5000K* | | | | | |
| 90 | | 57K - 5700K | | | | | |

*Standard

Available Color

Bronze



Notes:

- Only 5000K in BRONZE are stocked locally, check for ETA's
- Warranty reduces to 5 YEARS for 480V models
- Step-down dimming motion sensors are for 120-277V models only

Lumen Output

| System Watts | CCT | Lumens | LPW | Lumens | LPW |
|--------------|-------|--------|-----|--------|-----|
| 28 | 3000K | 3,484 | 124 | 3,916 | 140 |
| | 4000K | 3,556 | 127 | 3,997 | 143 |
| | 5000K | 3,548 | 127 | 3,988 | 142 |
| | 5700K | 3,612 | 129 | 4,060 | 145 |
| 40 | 3000K | 4,862 | 122 | 5,551 | 139 |
| | 4000K | 4,960 | 124 | 5,663 | 142 |
| | 5000K | 5,040 | 126 | 5,754 | 144 |
| | 5700K | 5,080 | 127 | 5,800 | 145 |
| 60 | 3000K | 7,473 | 125 | 8,272 | 138 |
| | 4000K | 7,680 | 128 | 8,501 | 142 |
| | 5000K | 7,800 | 130 | 8,634 | 144 |
| | 5700K | 7,860 | 131 | 8,700 | 145 |
| 90 | 3000K | 11,365 | 126 | 12,390 | 138 |
| | 4000K | 11,700 | 130 | 12,756 | 142 |
| | 5000K | 11,880 | 132 | 12,952 | 144 |
| | 5700K | 11,970 | 133 | 13,050 | 145 |

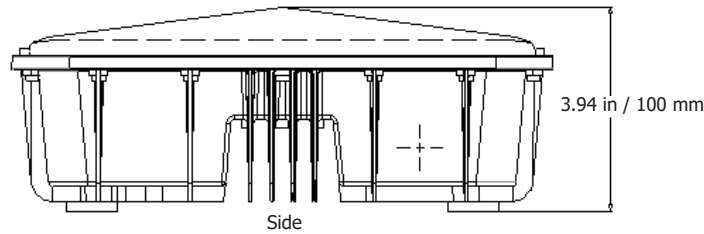


Multi-Level Motion Sensor

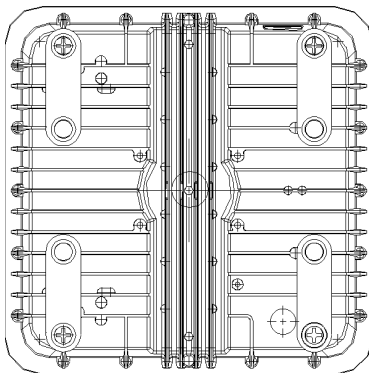


3/4" Threaded Pendant Adapter

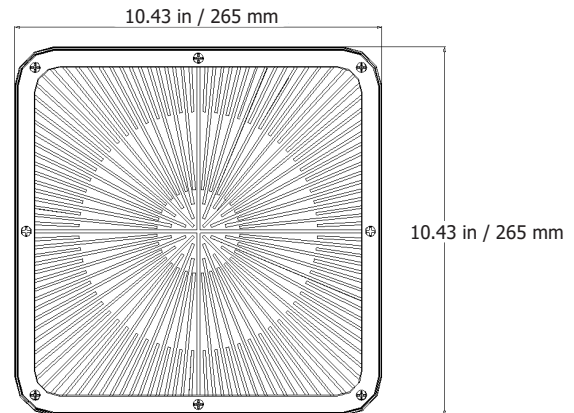
Dimensions



Side



Back



Front