



Wattage:	100W	150W	240W
Height:	10 in / 251 mm	10.8 in / 275 mm	12.4 in / 315 mm
Diameter:	10.8 in / 275 mm	10.8 in / 275 mm	10.8 in / 275 mm
Weight:	6.4 lb / 2.6 kg	9.5 lb / 4.3 kg	10.5 lb / 4.76 kg

### Description

The HBIS High Bay fixture is the perfect LED to replace all your HID and Fluorescent High Bay lights. With dimming ballast and motion sensor options, you can't go wrong.

### Applications

Warehouse Lighting      Cold Storage      Gymnasiums  
 Indoor Arenas      Manufacturers

### Details

IP Rating	IP44
Material	Aluminum
Lens	Polycarbonate
L70 Life	54,000 Hours
Warranty	5 Years
CRI	70+
Certification	UL, DLC 4.2, FCC, CE, RoHS
Driver Man.	Mean Well
Chip Man.	Phillips

### Electrical

Power Factor	0.99
Frequency	50/60 Hz
Max THD (%)	15 - 20
Operating Temp.	-30° F to 150° F -34° C to 65° C
Dimming	3 in 1 (Resistance, PWM, 1-10V)



ALTECH MODEL #:	AE-L-HBIS-100	AE-L-HBIS-150	AE-L-HBIS-240
DLC #:	U-IHB-100	U-IHB-150	U-IHB-240
DLC Partner:	Ultron Industries		
Input Wattage:	100W	150W	240W
Equivalent:	400W MH	600W MH	1000W MH

### Ordering Information

Example: AE-L-HBIS-150-110-50K-1-1-C-P-WP-BL

Wtg	Lumen Pckge	Color Temp.	Input Voltage	Lens / Housing	Mounting	Options	Finish
100	110 L/W*	30K - 3000K	1 - 120-277V*	1 - 100°*	H - Hook*	WP - 4' Whip	SV - Silver*
150	135 L/W	40K - 4000K	2 - 480V	2 - 60°	P - Pendant Adapter	TL - Twist Lock Cap	WH - White
240		50K - 5000K*		C - Clear*	(Pendant type must be specified when ordering)	MS - Motion Sensor	BZ - Bronze
		57K - 5700K		F - Frosted		WP(X) - Additional X' Whip (X = specify length; comes standard with 4' whip)	BL - Black
							SP - Other

\*Standard

Standard Color

Silver

Custom Colors

Black

White

Gray

Bronze

Orange

Brown

Blue

Green

Red



#### Notes:

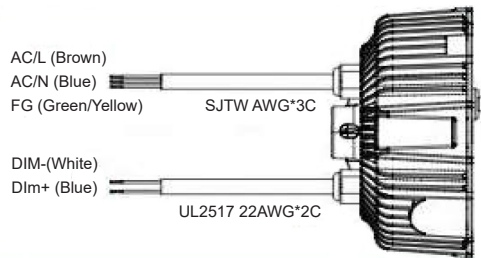
- Only 5000K in SILVER are in stocked locally, check for ETA's
- Step-down dimming motion sensors are for 120-277V models only

**Lumen Output at 5700K**

System Watts	Lumens	LPW	Lumens	LPW
100	12,000	110	13,500	135
150	17,400	110	20,250	135
240	28,320	110	32,400	135

**Installation**

1. Important: Shut the power down
2. Hang the fixture.
3. Connect the power.



**3-Step Microwave Motion Sensor and Photocell Combination**



Clear Lens

Frosted Lens

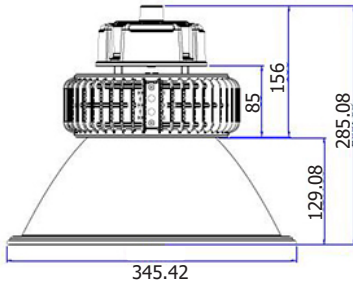


**Tool-Free Relector Installation**

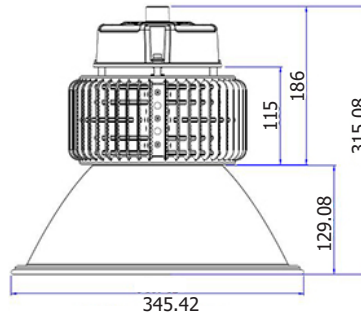


**Dimensions**

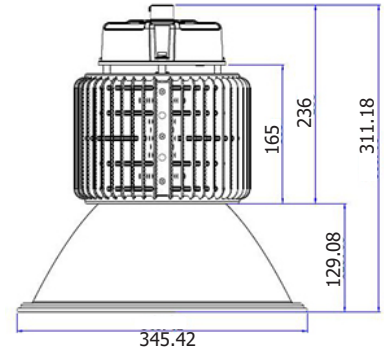
**100 Watt / 60° Reflector**



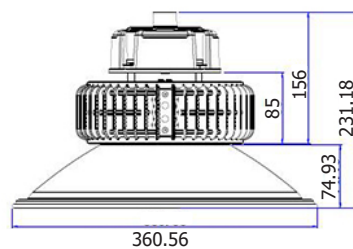
**150 Watt / 60° Reflector**



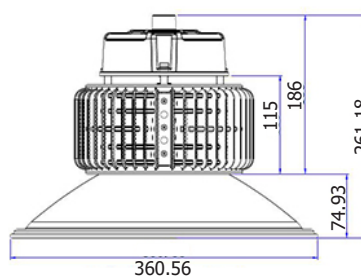
**240 Watt / 60° Reflector**



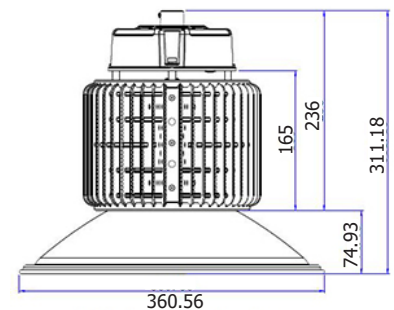
**100 Watt / 100° Reflector**



**150 Watt / 100° Reflector**

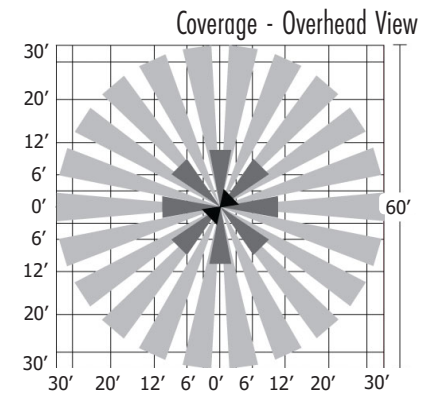
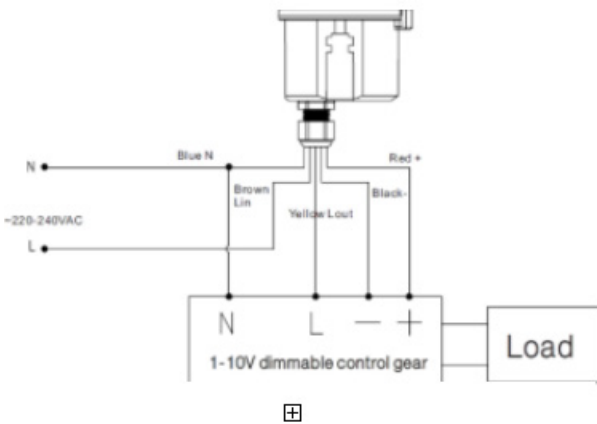
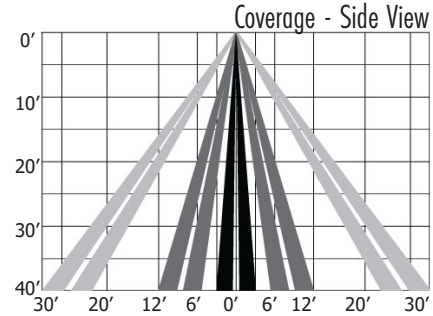
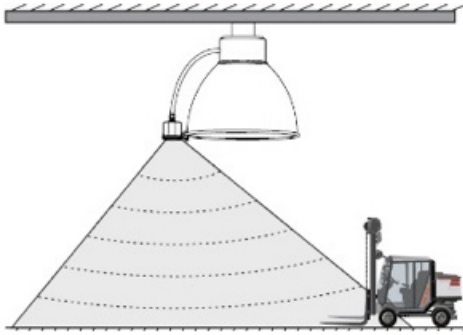


**240 Watt / 100° Reflector**



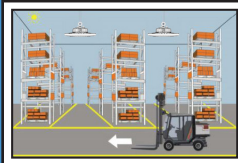
**Unit: mm**

### Motion Sensor

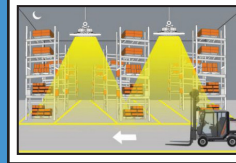


HIGH BAY INDUSTRIAL SERIES

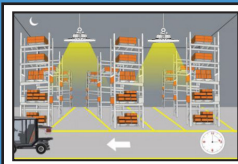
### Motion Detection



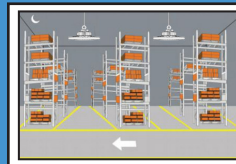
1. With sufficient ambient light, the sensor does not turn the fixture on.



2. With insufficient ambient light, the sensor turns the fixture on when motion is detected.



3. After hold time, the sensor dims the fixture to a low light level if no new motion is detected.



4. After stand-by-period, the sensor turns off the fixture if no motion is detected in its zone.

This 3-Step Dimming/Daylight Sensor, with remote, provides a simple energy-saving solution to use light only when and where you need it. The motion sensor can be mounted at a maximum of 49 feet above the ground and still detect moving objects within as 2,500 square foot area. This sensor also has a daylight sensor for even more added lighting customization and energy savings.

*Exploded View*



*Mounting Options Supported*

