

Project: _____
 Cat #: _____
 Note: _____



EPA: 0.75
 Height: 3.9 in / 100 mm
 Width: 12.7 in / 322 mm
 Length: 13 in / 332 mm
 Weight: 9 lb / 4.1 kg



Description

The ALAS Area Light fixture is the perfect LED to replace all your existing HID flood and area lights. With a wide range of lumen outputs and colors, it is very versatile.

Applications

Pole Mount Security Lighting Wall Mount Parking Lots Roof Mount

Details

IP Rating: IP65
 Materials: Aluminum
 Lens: Polycarbonate
 LM70 Life: 100,000 Hours
 Warranty: 10 Years
 CRI: 70+
 Certification: UL, DLC 4.2, FCC, CE, RoHS
 Driver Man.: Mean Well
 Chip Man.: Phillips

Electrical

Power Factor: 0.99
 Frequency: 50/60 Hz
 Max THD (%): 18
 Operating Temp.: -30° F to 150° F
 -34° C to 65° C
 Dimming: 3 in 1 (Resistance, PWM, 1-10V)

AREA LIGHT ARCHITECTURAL SERIES

ALTECH MODEL #:	AE-L-ALAS-35	AE-L-ALAS-50	AE-L-ALAS-80	AE-L-ALAS-100	AE-L-ALAS-120	AE-L-ALAS-150
DLC #:	U-ARALS-35	U-ARALS-60	U-ARALS-80	U-ARALS-100	U-ARALS-120	U-ARALS-150
DLC Partner:	Ultron Industries					
Input Wattage:	35W	50W	80W	100W	120W	150W
Equivalent:	175W MH	250W MH	375W MH	400W MH	600W MH	750W MH

Ordering Information

Example: AE-L-ALAS-50-135-50K-T4-1-SF-P-BL

Wtg	Lumen Pckge	Color Temp.	Distribution	Input Voltage	Mounting	Options	Finish
35	135 L/W*	30K - 3000K	T2 - Type 2	1 - 120-277V*	A - 6" Arm*	WP - 4' Whip	BZ - Bronze*
50	165 L/W	40K - 4000K	T3 - Type 3*	2 - 480V	SF - Slip Fitter	MS - Motion Sensor	BL - Black
80	180 L/W	50K - 5000K*	T4 - Type 4		W - Wall	P - Photocell	WH - White
100		57K - 5700K	T5 - Type 5				GR - Gray
120							SP - Other
150							

*Standard

Standard Color

Bronze

Custom Colors

Black

White

Silver

Gray

Orange

Brown

Blue

Green

Red



Notes:

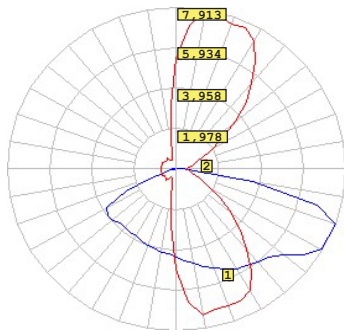
- Only 5000K, 120-277V in BRONZE are stocked locally, check for ETA's
- Warranty reduces to 5 YEARS for 480V models
- Step-down dimming motion sensors are for 120-277V models only

211 E. Ocean Blvd., Suite 400
 Long Beach, CA 90802
 800-640-0386
 www.altechelectronics.com

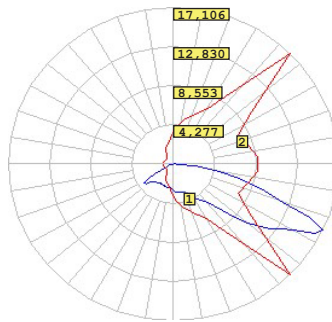
Lumen Output Based on 57000K

System Watts	Dist. Type	Lumens	LPW	B	U	G	Lumens	LPW	B	U	G	Lumens	LPW	B	U	G
35	T3	4,900	140	1	3	1	5,728	163.7	1	3	1	6,235	178.1	1	3	1
	T4	4,946	141	1	0	1	5,805	165.9	1	0	1	6,428	183.7	1	0	1
	T5	4,900	140	2	1	1	5,779	165.1	2	1	1	6,308	180.2	2	1	1
50	T3	6,800	136	1	3	2	8,230	164.6	1	3	2	8,838	176.8	1	3	2
	T4	7,150	143	1	0	2	8,350	167	1	0	2	8,880	177.6	1	0	2
	T5	7,050	141	2	1	1	8,297	165.9	2	1	1	8,907	178.1	2	1	1
80	T3	10,800	135	2	3	2	13,018	162.7	2	3	2	14,180	177.3	2	3	2
	T4	11,134	139	2	0	2	13,278	166	2	0	2	14,087	176.1	2	0	2
	T5	11,360	142	3	2	1	13,124	164.1	3	2	1	13,970	174.6	3	2	1
100	T3	13,762	138	2	3	3	16,316	163.2	2	3	3	17,680	176.8	2	3	3
	T4	14,248	142	2	0	3	16,512	165.1	2	0	3	17,750	177.5	2	0	3
	T5	14,140	141	3	2	1	16,378	163.8	3	2	1	17,698	177	3	2	1
120	T3	16,820	140	3	3	3	19,782	164.9	3	3	3	21,360	178	3	3	3
	T4	17,195	143	3	0	3	19,842	165.4	3	0	3	21,387	178.2	3	0	3
	T5	16,520	138	3	2	1	19,822	165.2	3	2	1	21,399	178.3	3	2	1
150	T3	21,450	143	3	3	3	24,678	164.5	3	3	3	26,720	178.1	3	3	3
	T4	20,829	139	3	0	3	24,723	164.8	3	0	3	26,814	178.8	3	0	3
	T5	21,279	142	3	2	1	24,795	165.3	3	2	1	26,787	178.6	3	2	1

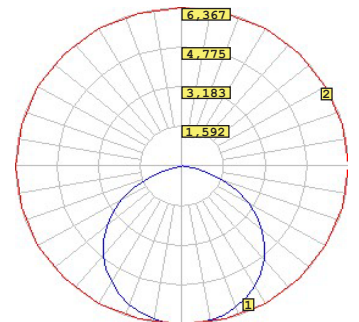
ALAS-150-T3



ALAS-150-T4



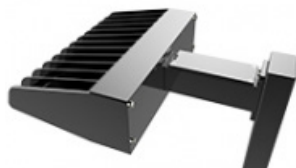
ALAS-150-T5



Slip Fitter Mount



Arm Mount



Multi-Level Motion Sensor



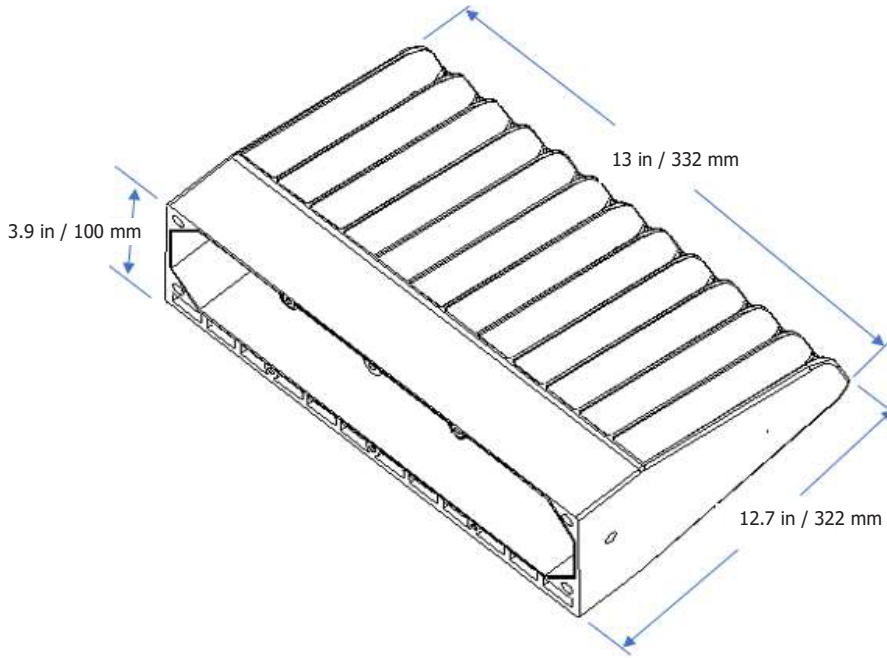
Photocell



Wall bracket



Dimensions

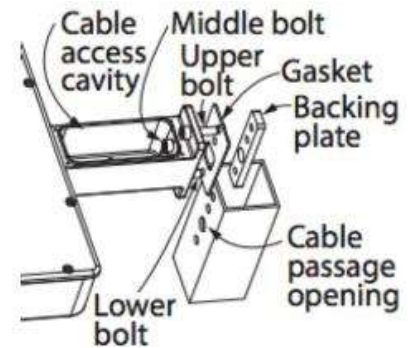
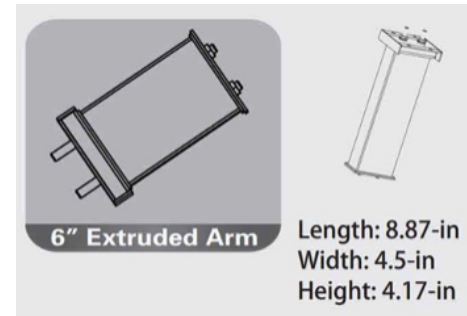


The international color scheme is brown (hot), blue (neutral) and green/yellow (ground) wiring.
Always disconnect power when installing or troubleshooting. Consult a licensed technician.



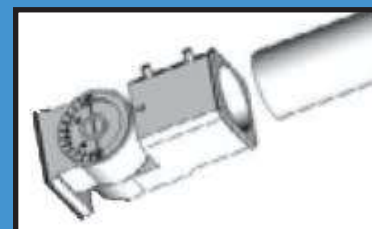
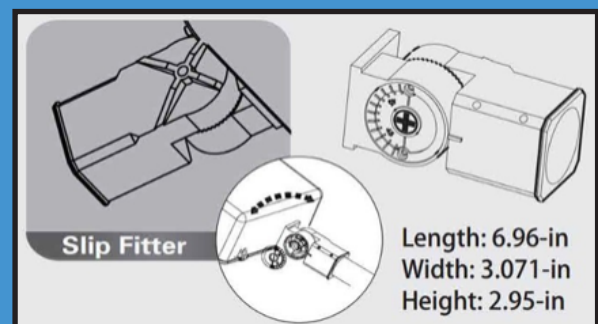
Arm Bracket Installation

1. Remove the cover of the 6" arm bracket.
2. Be certain the support pole has adequate mounting surface and conforms to code.
3. Determine whether to store the wire connections in the cable access cavity or inside the pole.
4. Open cable-access plate and safely store the tiny screws.
5. With the pole and its mounting holes set at a desired height, bring the lamp and bracket arm up to be mounted.
6. Support the backing plate inside the pole, aligned precisely with the mounting holes.
7. Support the luminaire arm near the mounting holes and thread power cable through the largest hole of the sealing gasket, through the pole's largest drilled hole, and through the backing plate's hole.
8. Feed the three Allen 6mm bolts through the backing plate to set their screws hand tight. Then fully tighten the middle bolt, followed by the upper bolt, then the lower bolt.
9. Connect the input and ground wires of the fixture to the power supply.
10. Re-fasten the cover plate.
11. Enclose the open pole top and seal as necessary.



Slip Fitter Bracket Installation

1. Ensure that the light pole or tenon adapter diameter is less than the diameter of the connection tube (2.5")
2. Loosen screws on the connection tube.
3. Adjust the lighting angle as needed, utilizing the slip fitter adjustment.
4. Connect the input and ground wires of the fixture to the power supply.
5. Place the slip fitter over tenon & tighten all screws.
6. The angle of the slip fitter mount can be adjusted from +90° through -90°.
7. Restore Power.



Note: Wider array of adaptors are available upon request

UPDATED: 1/10/2018